

PRODUCT DATA SHEET

22mm DIAMETER AMPERMETER



DESCRIPTION

Ammeter indicator light is a new design electrical control device that displays current data. It offers a long service life with its quality material structure.

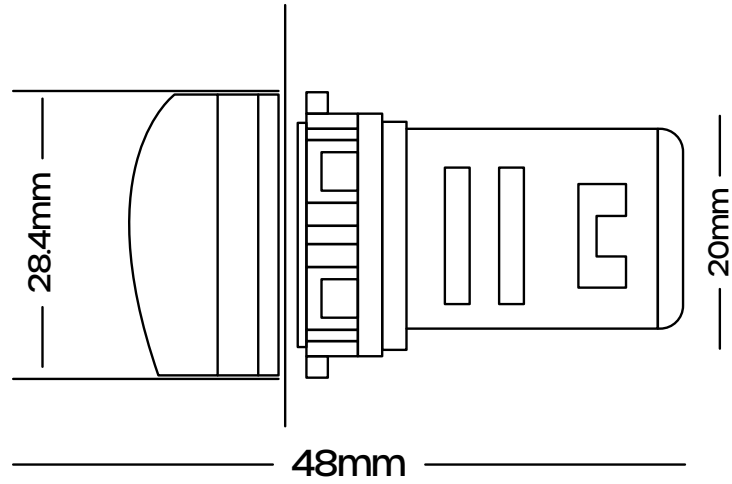
FEATURES

- High brightness LED display.
- Cylindrical main body.
- 0 - 100A Led Ampermeter with current transformer.

PRODUCT DATA SHEET

22mm DIAMETER AMPERMETER

SECTIONS AND DIMENSIONS



PRODUCT CODE	DIAMETER (mm)	DESCRIPTION	COLOUR
22 AS-K	22	0 - 100A Led Ammeter Current Transformer	Red